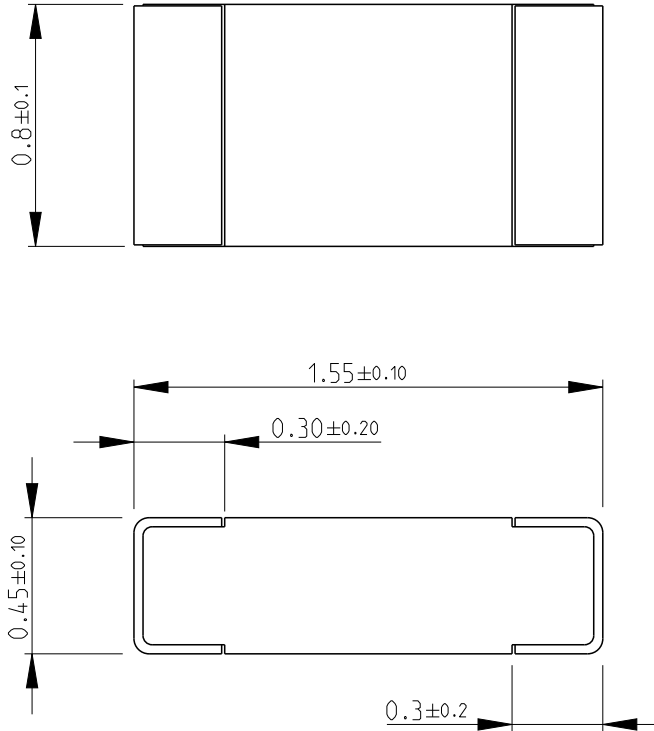


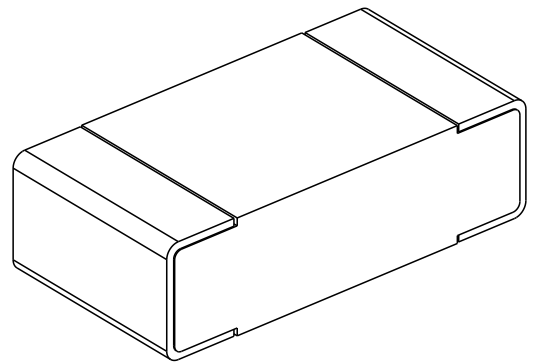
REVISIONS

P	LTR	DESCRIPTION	DATE	DWN	APVD
	BA1	ECR-14-009193	19JUN2014	KR	TN

FOR FURTHER INFORMATION SEE DATA SHEET FOR CPF SERIES-THIN FILM PRECISION CHIP RESISTORS



RoHS Compliant



2008

RELEASED FOR PUBLICATION

ALL RIGHTS RESERVED.

THIS DRAWING IS UNPUBLISHED.

BY -

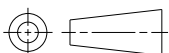
© COPYRIGHT 2008

DIMENSIONS:

mm

TOLERANCES UNLESS OTHERWISE SPECIFIED:

- 0 PLC ±0.2
- 1 PLC ±0.1
- 2 PLC ±
- 3 PLC ±
- 4 PLC ±
- ANGLES ±5°



DWN 29-Sep-08

SUBHASH.M

CHK 29-Sep-08

PRAKASH.S

APVD 29-Sep-08

STEPHEN.P

PRODUCT SPEC

APPLICATION SPEC

WEIGHT -

MATERIAL

-

FINISH

-



TE Connectivity

NAME

THIN FILM PRECISION CHIP RESISTORS
SERIES CPF 0603

SIZE

A 4

CAGE CODE

00779

DRAWING NO

C=1879336

RESTRICTED TO

-

Customer Drawing

SCALE

40:1

SHEET

1 OF 1

REV

BA1